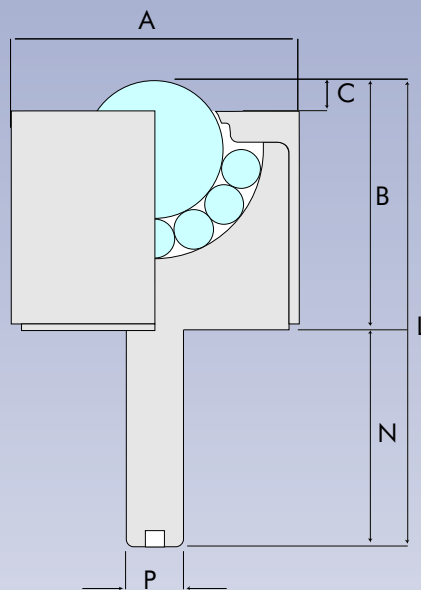


REF No	Ball Size (mm)	C	A	N	L	B	P	Weight (Kg)	Dynamic Load Up Rating (Kg)
11MI-05-17	4.8	1.0	8.0	2.5	8.5	6.0	M2	0.003	5
11MI-05-15			12.0	15.0	24.0	9.0	M6	0.01	8
11MI-06-17	6.4	2.0	13.0	6.0	16.5	10.5	M3	0.011	10
11MI-06-15		2.0	15.0	15.0	26.0	11.0	M6	0.02	10
11MI-08-17	7.9	2.0	15.0	8.0	20.5	12.5	M4	0.021	15
11MI-08-15			15.0	18.0	32.0	14.0	M8	0.03	15
11MI-10-15	9.6	2.0	19.0	20.0	40.0	20.0	M8	0.06	20
11MI-13-15	12.7	3.5	22.0	23.0	48.0	25.0	M8	0.10	25
11MI-16-15	15.8	4.0	24.0	12.0	32.5	20.5	M6	0.05	30
11MI-16-13	15.8	4.0	24.0	12.0	32.5	20.5	M6	0.05	35

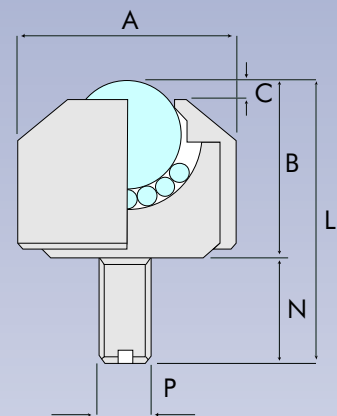
Applications

- Measuring Equipment
- Lightweight Coilholder
- Guides for small linear motion (eg photo copier slides)
- Transfer of material in clean rooms
- Miniature mechanisms

Type 15



Type 17



Type 15 denotes stainless steel balls and housing

Type 17 denotes stainless steel balls and housing with angled top.

The screw thread and body are integral and machined from solid steel.